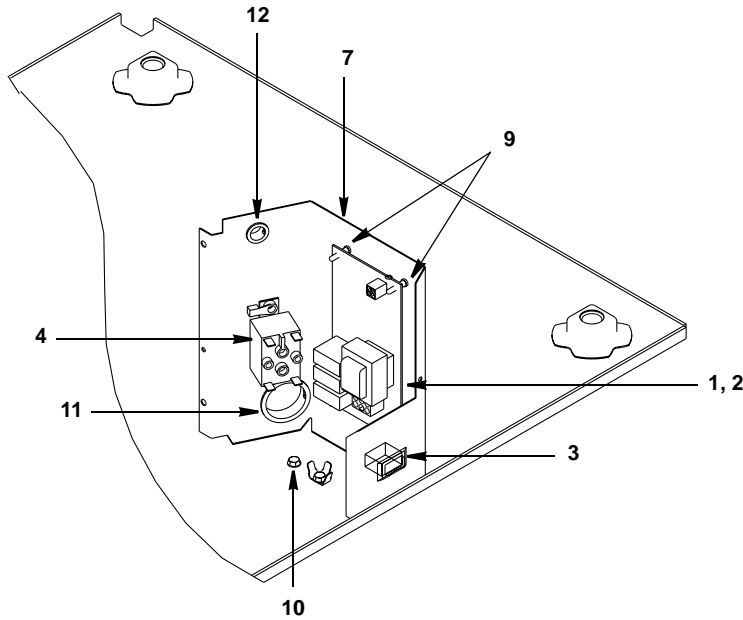


Ice Machine Parts List for ECV100 Model

ECV100 CONTROL BOX

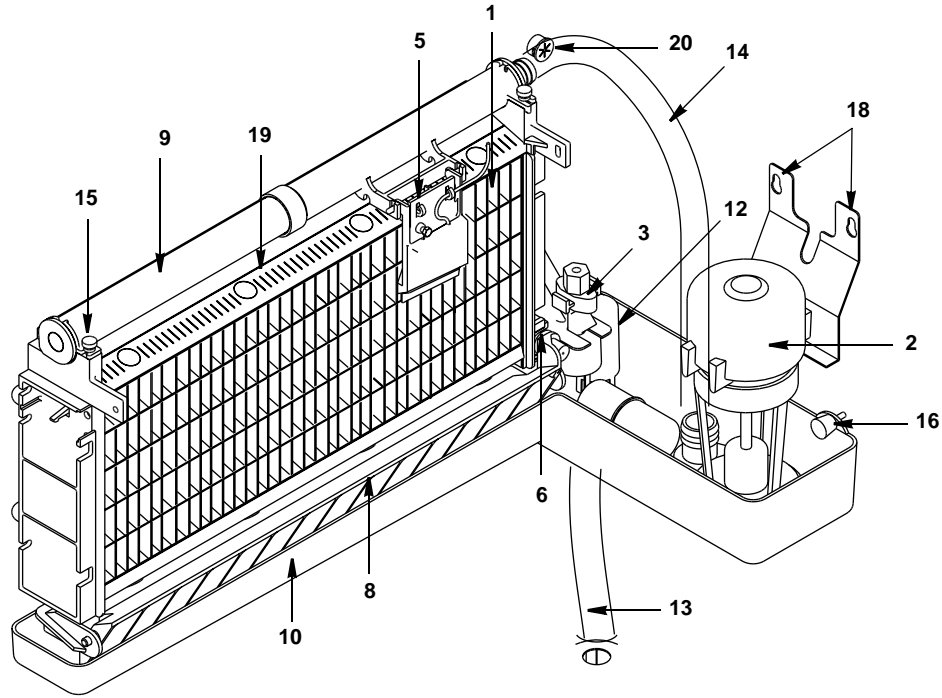


pt1262

DESCRIPTION

DESCRIPTION	PART NO.
1 Control Board (for use with all voltages)	† 76-2907-3
2 10 Amp Fuse – Mounted on Control Board	25-1149-3
3 Toggle Switch Only	23-0151-3
a. Wiring Harness for Toggle Switch	20-3248-3
4 Contactor	
a. 115V/60 Hz/1 Ph.	76-0083-3
b. 230V/50/60 Hz/1 Ph	76-0084-3
5 Wiring Harness	
a. Air-Cooled (Not shown)	20-3246-3
b. Water-Cooled (Not shown)	20-3271-3
c. Ice Thickness Control Probe (Wire Lead and Connectors Only)	20-0701-3
Ice Thickness Control Probe (Wire Lead and Connectors Only)	76-0160-3
6 Power Cord	
a. 125V/60 Hz (Not shown)	20-3266-3
b. 230V/60 Hz (Not shown)	20-3270-3
c. 230V/50 Hz (Not shown)	20-3269-3
Miscellaneous – Brackets, Screws, etc.	
7 Control Box.	† 604693-1
8 Control Box Cover (Not shown)	76-2908-3
9 Control Board Mounting Supports	43-0225-3
10 Screw, #10-24 x .50 Ground.	52-0224-3
11 Bushing	† 25-0013-9
12 Bushing	† 25-0218-9

ECV100 EVAPORATOR COMPARTMENT

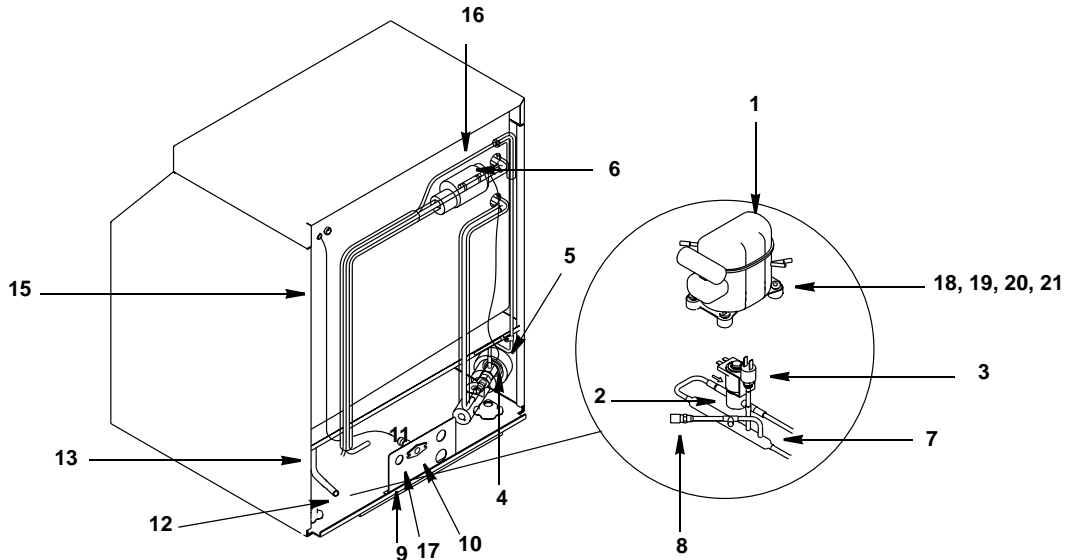


pt1258

DESCRIPTION

			PART NO.
1	Evaporator Assembly		
	a. Regular Cube		† 76-2954-9
	b. Dice Cube		† 76-2955-9
	c. Half Dice Cube		† 76-2956-9
2	Water Pump		
	a. 115V/60 Hz		† 76-2306-3
	b. 208-230V/60 Hz or 230V/50 Hz		† 76-2601-3
3	Float Valve (Complete Assembly) - Up to Serial Number 031100000		† 76-0213-3
4	Float Valve (Complete Assembly) - After Serial Number 031100000		83-6904-9
	a. Float Valve Screen		† 83-6906-9
	b. Float Valve Plunger		† 83-6908-9
	c. Float Valve Compression Nut		† 56-5072-9
5	Ice Thickness Control Probe		† 76-0160-3
6	Magnetic Bin Switch (Mounted to Evaporator)		† 23-0148-3
7	Water Flow Clamp (Not shown)		76-2054-3
8	Ice Damper		† 76-0048-3
	a. Ice Damper Magnet and Cap		76-2909-3
9	Water Distribution Tube		† 76-2498-3
10	Water Trough		43-0386-3
11	Water Inlet Tubing (Not shown)		44-2029-1
12	Siphon Cap		43-0222-3
Miscellaneous – Brackets, Screws, etc.			
13	Drain Tube		† 76-0085-3
14	Tubing (Water Pump Out)		40-1205-3
15	Screw, #8-32 x .63 Nylon Water Distribution Tube Mounting		† 50-0001-3
16	Thumbscrew, #8-32 x .625		53-0510-3
17	Screw, #10-24 x .750 – Used to Mount Evaporator (Not shown)		† 52-0218-9
18	Screw, #10-24 x .50		† 52-0206-9
19	Evaporator Top Molding and Gasket Assembly		76-2621-3
20	Bushing (Ice Thickness Probe Wire)		† 25-0016-9
21	Water Pump Lead (Not Shown)		20-7806-3

ECV100 REFRIGERATION COMPARTMENT – COMMON PARTS

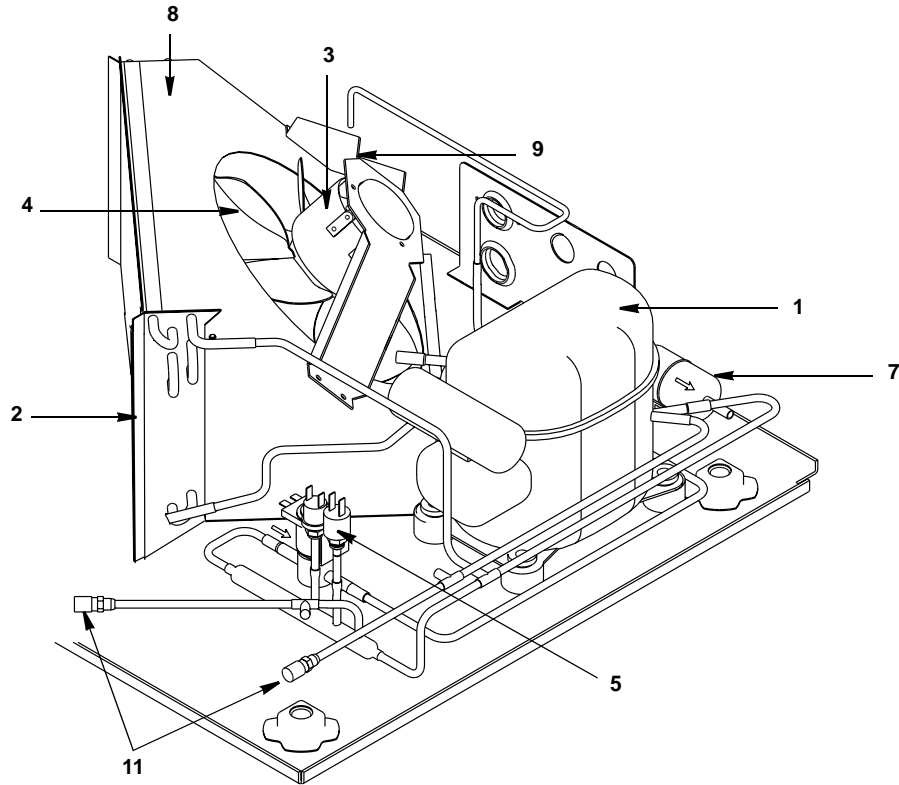


pt1259

DESCRIPTION

	DESCRIPTION	PART NO.
1	Compressor	
a.	115V/60 Hz/1 Ph (Tecumseh)	† 76-2910-3
	Overload for Compressor	85-0562-3
	Starting Device (Tecumseh)	85-0565-3
	Start Capacitor (Tecumseh)	85-0580-3
b.	115V/60 Hz/1 Ph (Danfoss)	76-0132-3
	Starting Device (Danfoss)	20-0204-3
	Start Capacitor (Danfoss)	20-0203-3
c.	208/230V 60 Hz/1 Ph (Tecumseh)	† 76-2911-3
	Overload for Compressor	85-0576-3
	Starting Device (Tecumseh)	85-0566-3
	Start Capacitor (Tecumseh)	85-0580-3
d.	208/230V 60 Hz/1 Ph (Danfoss)	76-0133-3
	Starting Device (Danfoss)	20-0487-3
	Start Capacitor (Danfoss)	20-0486-3
e.	224/240V 50 Hz/1 Ph (Tecumseh)	† 76-2912-3
	Overload for Compressor	85-0564-3
	Starting Device (Tecumseh)	† 85-0567-3
	Start Capacitor (Tecumseh)	85-0581-3
f.	224/240V 50 Hz/1 Ph (Danfoss)	76-0133-3
	Starting Device (Danfoss)	20-0487-3
	Start Capacitor (Danfoss)	20-0486-3
2	Hot Gas Valve	
a.	Hot Gas Valve Including 115V 60 Hz Electrical Coil (Danfoss)	† 76-3000-1
b.	Hot Gas Valve 115V Coil Only Danfoss	20-0176-3
c.	Hot Gas Valve 115V Coil Only Alco	24-0436-3
d.	Hot Gas Valve Including 208/230V 50/60 Hz Electrical Coil (Danfoss)	† 76-3006-1
e.	Hot Gas Valve 208/230V 50/60 Hz Coil Only Danfoss	20-0177-3
f.	Hot Gas Valve 208/230V 50/60 Hz Coil Only Alco	† 24-0448-3
3	High Pressure Cut-out	† 20-0124-3
4	Expansion Valve	† 76-0017-3
5	Expansion Valve Body Insulation Boot	
	a. Alco	40-0721-3
	b. Danfoss	40-0036-3
6	Expansion Valve Bulb Insulation Boot	40-0720-3
7	Manifold Strainer (in front of hot gas valve)	83-1016-3
8	Access Valve	83-7325-3
	Miscellaneous – Brackets, Screws, etc.	
9	Bracket (Water/Electrical Inlet)	602682-1
10	Water Inlet Female Wing Adapter	† 87-0609-3
11	Male Connector 1/4" OD x 1/8" NTPF	13-6096-1
12	Bin Drain Female Wing Adapter after Serial Number 980860665	87-0608-3
13	Bin Drain Tubing (Molded)	
	a. Up To Serial Number 980860665	44-2085-3
	b. After Serial Number 980860665	44-2098-3
14	Bin Drain Hose Clamp (Not shown)	† 56-5064-9
15	Water Inlet Tubing .375 ID	44-2029-1
16	Clamp, Expansion Valve Bulb	† 56-5052-9
17	Screw, #10-24 x .50	† 52-0206-9
18	Compressor Mounting Rubber Grommet	† 85-0306-9
19	Compressor Mounting Washer	† 55-7309-9
20	Compressor Hex Head Cap Screw	† 50-3770-9
21	Compressor Mounting Sleeve 3/8" ID x 1.031	† 85-0394-9

ECV100 REFRIGERATION COMPARTMENT – AIR-COOLED

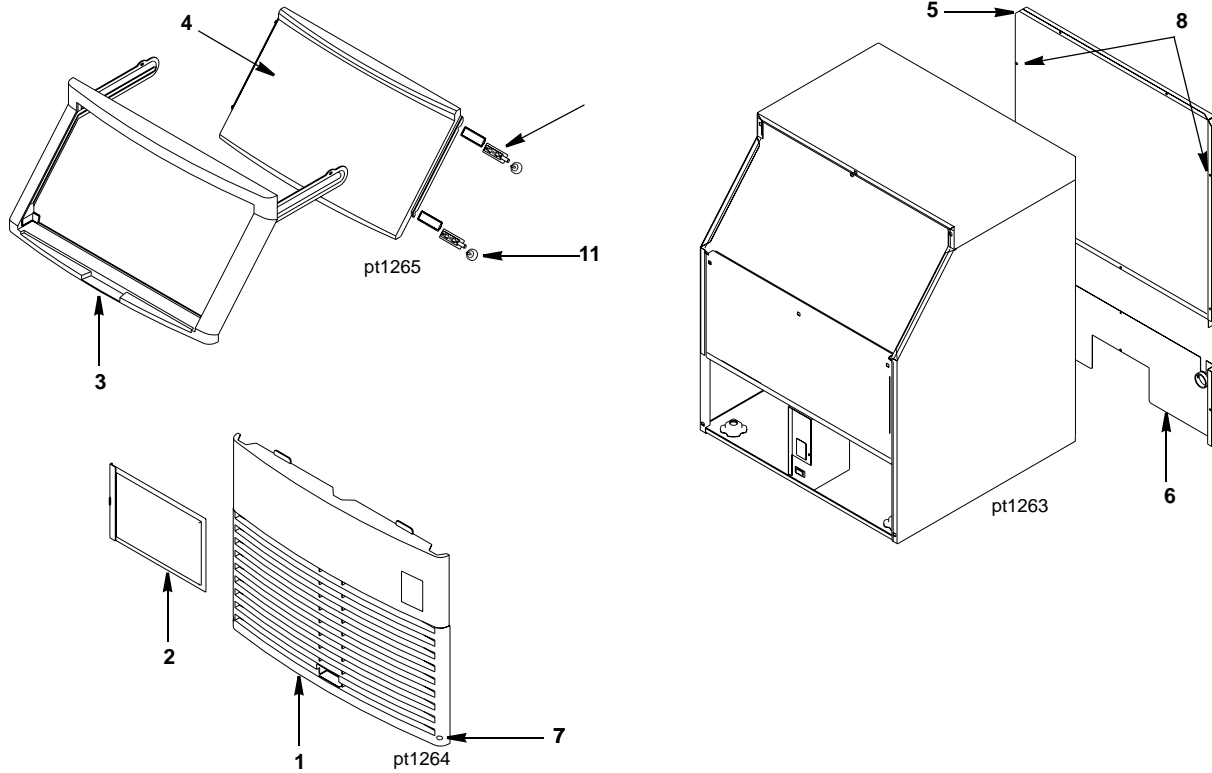


pt1261

DESCRIPTION

	PART NO.
1 Compressor (Refer to COMMON PARTS Page)	Page 4
2 Air Condenser.....	88-5132-3
3 Fan Motor	
a. 115V	24-1308-9
b. 208-230V/60 Hz or 230V/50 Hz	24-1309-9
4 Fan Blade	24-1624-3
5 Fan Cycling Control	† 20-0127-3
6 Air Filter (Not shown)	76-2914-3
7 Drier	† 89-3025-9
Miscellaneous – Brackets, Screws, etc.	
8 Fan Shroud	602685-1
9 Fan Motor Mounting Bracket	602743-1
10 Speed Nut to Mount Fan Blade (Not shown)	† 54-7507-9
11 Access Valve.....	83-7325-3

ECV100 PANELS



DESCRIPTION

	DESCRIPTION	PART NO.
1	Front Panel Assembly	76-2915-3
2	Air Filter	76-2914-3
3	Door Frame Assembly	76-2916-3
4	Bin Door*	† 43-0456-3
5	Back Panel, Upper	602680-1
6	Back Panel, Lower	
	a. Up To Serial Number 980860665	602717-1
	b. After Serial Number 980860665	603350-1
Miscellaneous – Brackets, Screws, etc.		
7	Front Cover Screw	† 52-0223-9
8	Screw, #10-24 x .50	† 52-0206-9
9	Ice Scoop (Not shown)	† 33-0260-3
10	Door Pin Gasket and Door Pin Assembly	76-2917-3
11	Door Pin Thumbscrews	50-1235-3